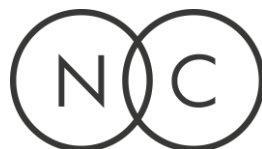


SUSTAINABILITY DECLARATION

FREJA XL



QUALITY AND ENVIRONMENTAL LABELLING



MATERIAL CONTENT

Wood	15,90 kg	70,3 %
Foam	5,60 kg	24,8 %
Fabric	1,10 kg	4,9 %
Steel	<0,01 kg	<0,1 %
Plastic	<0,01 kg	<0,1 %
Total	22,62 kg	100 %

Disclaimer: Material content is based on Freja 339 XL with fabric Debut, Ludvig Svensson. Numbers may vary based on model and options selected. This applies throughout the declaration.

RECYCLED MATERIAL

Post-consumer recycled content	1,10 kg	4,87 %
Pre-consumer recycled content	0 kg	0 %
Total recycled content	1,1 kg	4,9 %

RECYCLABILITY:

Plastic	<0,01 kg	<0,1 %
Steel	<0,01 kg	<0,1 %
Textile	1,10 kg	4,9 %
Total material recycling	1,1 kg	5,0 %

Wood	15,90 kg	70,3 %
Foam	5,60 kg	24,8 %
Total energy recovery	21,5 kg	95,0 %

TOTAL CO₂:

41,2 KG

ENERGY VALUE: (in accordance with NF Environnement)

715 MJ

FULFILLED TECHNICAL STANDARDS

- EN 16139 Strength, durability and safety, for personnel weight of 110 kg. Freja 339 XL is tested against 200 kg personnel weight.
- EN 1728 Test methods for the determination of the strength and durability
- EN 1022 Determination of stability
- EN 12720 Assessment of surface resistance to cold liquids
- SS 83 91 22 Impact of fat on a scratched surface
- EN ISO 105-E04 Colour fastness to perspiration

FULFILLED FIRE REQUIREMENTS

- EN 1021-1 Assessment of the ignitability of upholstered furniture – part 1: Ignition source smouldering cigarette
- EN 1021-2 Assessment of the ignitability of upholstered furniture – part 2: Ignition source match flame equivalent

Disclaimer: Fire requirements EN 1021-1 and EN 1021-2 are based on fabric Debut, Ludvig Svensson.

CHEMICAL DATA

Following have not been added to the product:

Substances on Reach candidate list of SVHC's above 0,1 % w/w

Asbestos

Heavy metals

Phthalates

Brominated or halogenated flame retardants

PVC

Hexavalent chromium

Biocides

COMPANY CERTIFICATIONS

- ISO 14001
- ISO 9001
- ISO 45001
- FSC® Chain of Custody

PACKAGING AND TRANSPORT

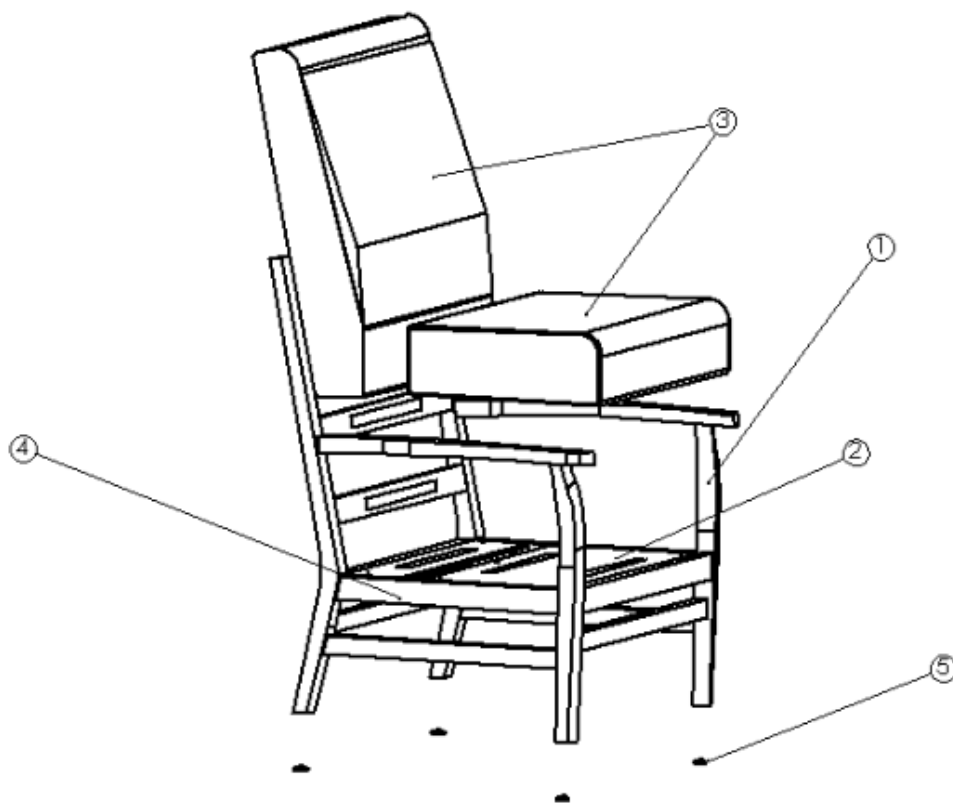
Packaged in recyclable packaging labeled with FSC. NC is connected to Näringslivets Producentansvar, the Swedish nationwide recycling system for packaging. The product is shipped to the consumer in Kinnarps' trucks with blankets and cardboard sheets as packing material which is returned to the factory after delivery and reused.

CARE AND MAINTENANCE RECOMMENDATIONS

Please visit our webpage.

<https://www.ncnordiccare.se/en/sustainability/care-advice/>

RECYCLING



Material	ID	Disassembly	Waste fraction
Solid wood	1	Screwdriver	Combustible waste/Wood
Plywood	2		
Foam	3		Combustible waste
Textile	3	Zipper (Scissor), Velcro (Staple remover)	Textile
Plastic	5	Hammer	Plastic
Steel	4		Metal

**The product should in first hand be reused or remade before recycling its components.*

LEED CONTRIBUTION

The product can contribute to the earning of points within the following credits.

LEED V 4

Interior Design & Construction

MR Credit: Interiors life-cycle impact reduction	Services offered for recycling, refreshing or reusing products. Share of recyclable material in the product: 5 %.
MR Credit: Building product disclosure and optimization – sourcing of raw materials	Recycled content: Post consumer 4,9 %, Pre consumer 0 %. The product is labelled with FSC Mix.

Building Design and Construction

MR Credit: Building product disclosure and optimization – sourcing of raw materials	Recycled content: Post consumer 4,9 %, Pre consumer 0 %. The product is labelled with FSC Mix.
MR Credit: Furniture and medical furnishings (healthcare)	The product contains no or less than 100ppm hexavalent chromium, heavy metals, PFCs or PFOA, or added anti-microbial treatments. Recycled content: Post consumer 4,9 %, Pre consumer 0 %. The product is labelled with FSC Mix.

Building Operations and Maintenance

MR Credit: purchasing—facility maintenance and renovation	The product does not contain any substances on REACH Authorization or Candidate list. The product is labelled with FSC Mix.
---	--

Verified date: 2024-09-10