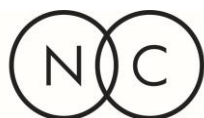


# SUSTAINABILITY DECLARATION

## GUSTAV ADJUSTABLE



INCLUSIVE DESIGN

## QUALITY AND ENVIRONMENTAL LABELLING



### MATERIAL CONTENT:

Wood	55,74 kg	89,7 %
Steel	6,40 kg	10,3 %
Plastic	<0,01 kg	<0,1 %
<b>Total</b>	<b>62,15 kg</b>	<b>100 %</b>

*Disclaimer: Material content is based on Gustav 241 with birch tabletop and adjustable height. Numbers may vary based on model and options selected. This applies throughout the declaration.*

### RECYCLED MATERIAL:

Post-consumer recycled content	1,28 kg	2,1 %
Pre-consumer recycled content	0,0 kg	0 %
<b>Total recycled content</b>	<b>1,28 kg</b>	<b>2,1 %</b>

### RECYCLABILITY:

Plastic	<0,01 kg	<0,1 %
Steel	6,40 kg	10,3 %
<b>Total material recycling</b>	<b>6,41 kg</b>	<b>10,3 %</b>

Wood	55,74 kg	89,7 %
<b>Total energy recovery</b>	<b>55,74 kg</b>	<b>89,7 %</b>

### TOTAL CO2:



### ENERGY VALUE: (in accordance with NF Environnement)

398 MJ

## FULFILLED TECHNICAL STANDARDS

- EN 15372 Strength, durability and safety requirements for non domestic table as meeting table, coffee table
- EN 1730 Test methods of test for the determination of strength, durability and stability
- EN 12720 Assessment of surface resistance to cold liquids
- SS 839117 Assessment of resistance to spotting from fat on scratched surface
- EN 12722 Assessment of surfaces resistance to dry heat
- SIS 839117 Assessment of surfaces resistance to scratches

## FULFILLED FIRE REQUIREMENTS

- Euroclass D

## CHEMICAL DATA

Following have not been added to the product:

Substances on Reach candidate list

Asbestos

Heavy metals

Brominated or halogenated flame retardants

PVC

Hexavalent chromium

## COMPANY CERTIFICATIONS

- ISO 14001
- ISO 9001
- OHSAS 18001
- FSC® Chain of Custody

## PACKAGING AND TRANSPORT

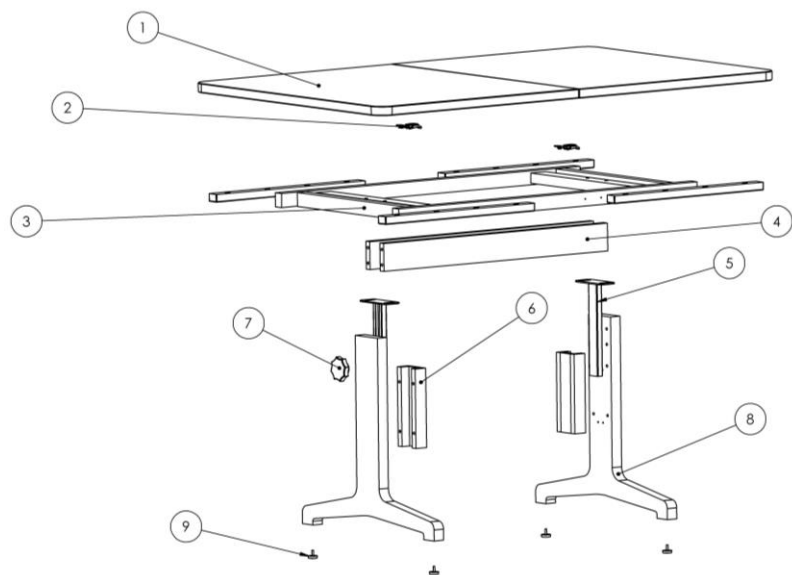
Packaged in recyclable packaging. NC is connected to FTI, the Swedish nationwide recycling system for packaging. Shipped with external carriers.

## CARE AND MAINTENANCE RECOMMENDATIONS

Please visit our webpage.

<https://www.ncnordiccare.se/care-instructions/?lang=en>

## RECYCLING



Material	ID	Disassembly	Waste fraction
Wood	1, 3, 4, 6, 7, 8	Screwdriver	Combustible waste/Wood
Plastic	9	Hammer	Plastic
Steel	1, 2, 3, 5, 8, 9	Screwdriver	Metal

*\*The product should in first hand be reused or remade before recycling its components.*

## LEED CONTRIBUTION

The product can contribute to the earning of points within the following credits.

### LEED V 4

#### Interior Design & Construction

MR Credit: Interiors life-cycle impact reduction	Services offered for recycling, refreshing or reusing products. Share of recyclable material in the product: 10,3 %.
MR Credit: Building product disclosure and optimization – sourcing of raw materials	Recycled content: Post consumer 2,1 %, Pre consumer 0 %.

#### Building Design and Construction

MR Credit: Building product disclosure and optimization – sourcing of raw materials	Recycled content: Post consumer 2,1 %, Pre consumer 0 %.
MR Credit: Furniture and medical furnishings (healthcare)	The product contains no or less than 100ppm hexavalent chromium, heavy metals, PFCs or PFOA, or added anti-microbial treatments. Recycled content: Post consumer 2,1 %, Pre consumer 0 %.

#### Building Operations and Maintenance

MR Credit: purchasing—facility maintenance and renovation	The product does not contain any substances on REACH Authorization or Candidate list.
---	---

Verified date: 2020-06-24